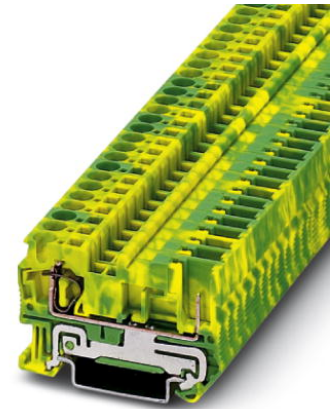


ST 4/ 1P-PE

Order No.: 3042722

<http://eshop.phoenixcontact.de/phoenix/treeViewClick.do?UID=3042722>Pluggable three-level spring-cage terminal block for mounting on NS
35**Commercial data**

EAN	4017918956042
Pack	50 Pcs.
Customs tariff	85369010
Weight/Piece	0.0109 KG
Catalog page information	Page 204 (CL-2007)

Product notesWEEE/RoHS-compliant since:
01/01/2003

<http://www.download.phoenixcontact.com>
Please note that the data given here has been taken from the online catalog. For comprehensive information and data, please refer to the user documentation. The General Terms and Conditions of Use apply to Internet downloads.

Technical data**General**

Number of levels	1
Number of connections	2
Color	green-yellow
Insulating material	PA
Inflammability class acc. to UL 94	V0

Dimensions

Width	6.2 mm
Length	55.9 mm
Height NS 35/7,5	36.5 mm
Height NS 35/15	44 mm

Technical data

Rated surge voltage	6 kV
Pollution degree	3
Surge voltage category	III
Insulating material group	I
Connection in acc. with standard	IEC 61 984

Connection data

Conductor cross section solid min.	0.08 mm ²
Conductor cross section solid max.	6 mm ²
Conductor cross section stranded min.	0.08 mm ²
Conductor cross section stranded max.	4 mm ²
Conductor cross section AWG/kcmil min.	28
Conductor cross section AWG/kcmil max	10
Conductor cross section stranded, with ferrule without plastic sleeve min.	0.25 mm ²
Conductor cross section stranded, with ferrule without plastic sleeve max.	4 mm ²
Conductor cross section stranded, with ferrule with plastic sleeve min.	0.25 mm ²
Conductor cross section stranded, with ferrule with plastic sleeve max.	4 mm ²
2 conductors with same cross section, stranded, TWIN ferrules with plastic sleeve, min.	0.5 mm ²
2 conductors with same cross section, stranded, TWIN ferrules with plastic sleeve, max.	1 mm ²
Type of connection	Spring-cage connection
Stripping length	10 mm
Internal cylindrical gage	A3

Certificates / Approvals

Approval logo

**CUL**

AWG/kcmil	28-10
-----------	-------

UL

AWG/kcmil	28-10
Certification	CUL, UL

Accessories

Item	Designation	Description
Assembly		
3030721	ATP-ST 4	Partition plate, for visual and electrical separation of terminal groups, width: 2 mm, color: gray
3030420	D-ST 4	Cover, width: 2.2 mm, color: gray
Bridges		
3030336	FBS 2-6	Plug-in bridge for cross-connections in the terminal center, 2-pos., color: Red
3030242	FBS 3-6	Plug-in bridge for cross-connections in the terminal center, 3-pos., color: Red
3030255	FBS 4-6	Plug-in bridge for cross-connections in the terminal center, 4-pos., color: Red
3030349	FBS 5-6	Plug-in bridge for cross-connections in the terminal center, 5-pos., color: Red
3030271	FBS 10-6	Plug-in bridge for cross-connections in the terminal center, 10-pos., color: Red
3030365	FBS 20-6	Plug-in bridge for cross-connections in the terminal center, 20-pos., color: Red
3032224	FBS 50-6	Plug-in bridge for cross-connections in the terminal center, 50-pos., color: Red
Marking		
1051993	B-STIFT	Marker pen, for manual labeling of unprinted Zack strips, smear-proof and waterproof, line thickness 0.5 mm

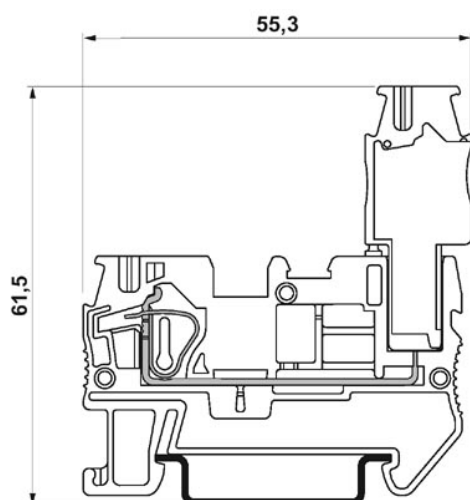
3040588	PC	Coding for all basic terminal blocks
0811228	X-PEN 0,35	Marker pen without ink cartridge, for manual labeling of markers, labeling extremely wipe-proof, line thickness 0.35 mm
1051016	ZB 6,LGS:FORTL.ZAHLEN	Zack strip, 10-section, printed horizontally: with the numbers, 1-10, 11-20 etc. up to 991-1000, color: white
5060935	ZB 6/WH-100:UNBEDRUCKT	Zack strip, unprinted: For individual labeling with M-PEN, ZB-T or CMS system, large batch, sufficient for labeling 1000 terminal blocks, for a terminal width of 6.2 mm, color: White
1050499	ZB 6:SO/CMS	Zack strip, 10-section, divisible, special printing, marking according to customer requirements
0811163	ZB-T QR	Marking foil for Zack marker strip, for individual labeling with thermal transfer printer, 1 roll = 1000 labels, strip length: 101 mm, height of strip: 9.5 mm
0808749	ZBF 6,LGS:FORTL.ZAHLEN	Zack strip, flat, printed horizontally: 10-section, with the numbers, 1-10, 11-20 etc. up to 991-1000, color: White
0808736	ZBF 6/WH-100:UNBEDRUCKT	Zack strip, flat, unprinted: 10-section, for individual labeling with M-PEN or ZBF-T, large batch, sufficient for labeling 1000 terminal blocks, color: white
0808778	ZBF 6:SO/CMS	Zack strip, flat, 10-section, divisible, special printing, marking according to customer requirements
0811150	ZBF-T QR	Marking foil for Zack marker strip, for individual labeling with thermal transfer printer, 1 roll = 1 000 labels, strip length: 101 mm, height of strip: 4.2 mm
Plug/Adapter		
3002885	ISH 4/0,5	Cross-section range: 0.25 - 0.5 mm ² / 0.75 - 1 mm ²
3002898	ISH 4/1,0	Cross-section range: 0.25 - 0.5 mm ² / 0.75 - 1 mm ²
0201731	MPS-IH BK	Insulating sleeve (black), for MPS metal part to be ordered separately (0201744)
0201689	MPS-IH BU	Insulating sleeve (blue), for MPS metal part to be ordered separately (0201744)
0201702	MPS-IH GN	Insulating sleeve (green), for MPS metal part to be ordered separately (0201744)
0201676	MPS-IH RD	Insulating sleeve (red), for MPS metal part to be ordered separately (0201744)
0201744	MPS-MT	Test plug, consisting of: Metal part for 2.3 mm diameter socket hole
3030925	PAI-4	Test adapter, for 4 mm diameter test plug PS and safety test plug, makes contact in the bridge shaft
3030996	PS-6	Modular test plug, for individual assembly of test plug strips, for UT, ST, DT and QT terminal blocks, can be labeled with ZBF 6, color: Red

Additional products

Item	Designation	Description
Plug/Adapter		
3042751	SP 4/ 1-L	Connector with spring-cage connection for self-assembly, left element; cross section: 0.08 - 0.4 mm ² , width: 6.2 mm, color: Gray
3042764	SP 4/ 1-L BU	Connector with spring-cage connection for self-assembly, left element; cross section: 0.08 - 0.4 mm ² , width: 6.2 mm, color: Blue
3042777	SP 4/ 1-L GNYE	Connector with spring-cage connection for self-assembly, left element; cross section: 0.08 - 0.4 mm ² , width: 6.2 mm, color: Green-yellow
3042780	SP 4/ 1-M	Connector with spring-cage connection for self-assembly, middle element; cross section: 0.08 - 0.4 mm ² , width: 6.2 mm, color: Gray
3042793	SP 4/ 1-M BU	Connector with spring-cage connection for self-assembly, middle element; cross section: 0.08 - 0.4 mm ² , width: 6.2 mm, color: Blue
3042803	SP 4/ 1-M GNYE	Connector with spring-cage connection for self-assembly, middle element; cross section: 0.08 - 0.4 mm ² , width: 6.2 mm, color: Green-yellow
3042816	SP 4/ 1-R	Connector with spring-cage connection for self-assembly, right element; cross section: 0.08 - 0.4 mm ² , width: 6.2 mm, color: Gray
3042829	SP 4/ 1-R BU	Connector with spring-cage connection for self-assembly, right element; cross section: 0.08 - 0.4 mm ² , width: 6.2 mm, color: Blue
3042832	SP 4/ 1-R GNYE	Connector with spring-cage connection for self-assembly, right element; cross section: 0.08 - 0.4 mm ² , width: 6.2 mm, color: Green-yellow

Drawings

Dimensioned drawing



The illustration shows the terminal with the plug version SP 4/...

Circuit diagram

